



**Volkswagen Golf GTI TCR
DSG**

Tightening Torque Manual

TIGHTENING TORQUE INDEX

Volkswagen Motorsport



Notes	_____	3
Engine Fly Wheel And Clutch	_____	4
Engine & Gearbox Supports	_____	5
Turbocharger	_____	6
Alternator	_____	7
Fuel System	_____	8
Intermediate Axle	_____	10
Drive Shaft	_____	11
Front Upright And Hub	_____	12
Front Brake	_____	13
Front Subframe	_____	14
Front Wishbone	_____	15
Front Shock Absorber	_____	16
Steering Rack & Column	_____	17
Rear Upright	_____	18
Rear Shock Absorber	_____	19
Rear Subframe	_____	20
Pedal Box	_____	21
Front & Rear End	_____	22
Bucket Seat	_____	23
Ballast Fixation	_____	24
DSG Gearbox	_____	25



TIGHTENING TORQUE NOTES



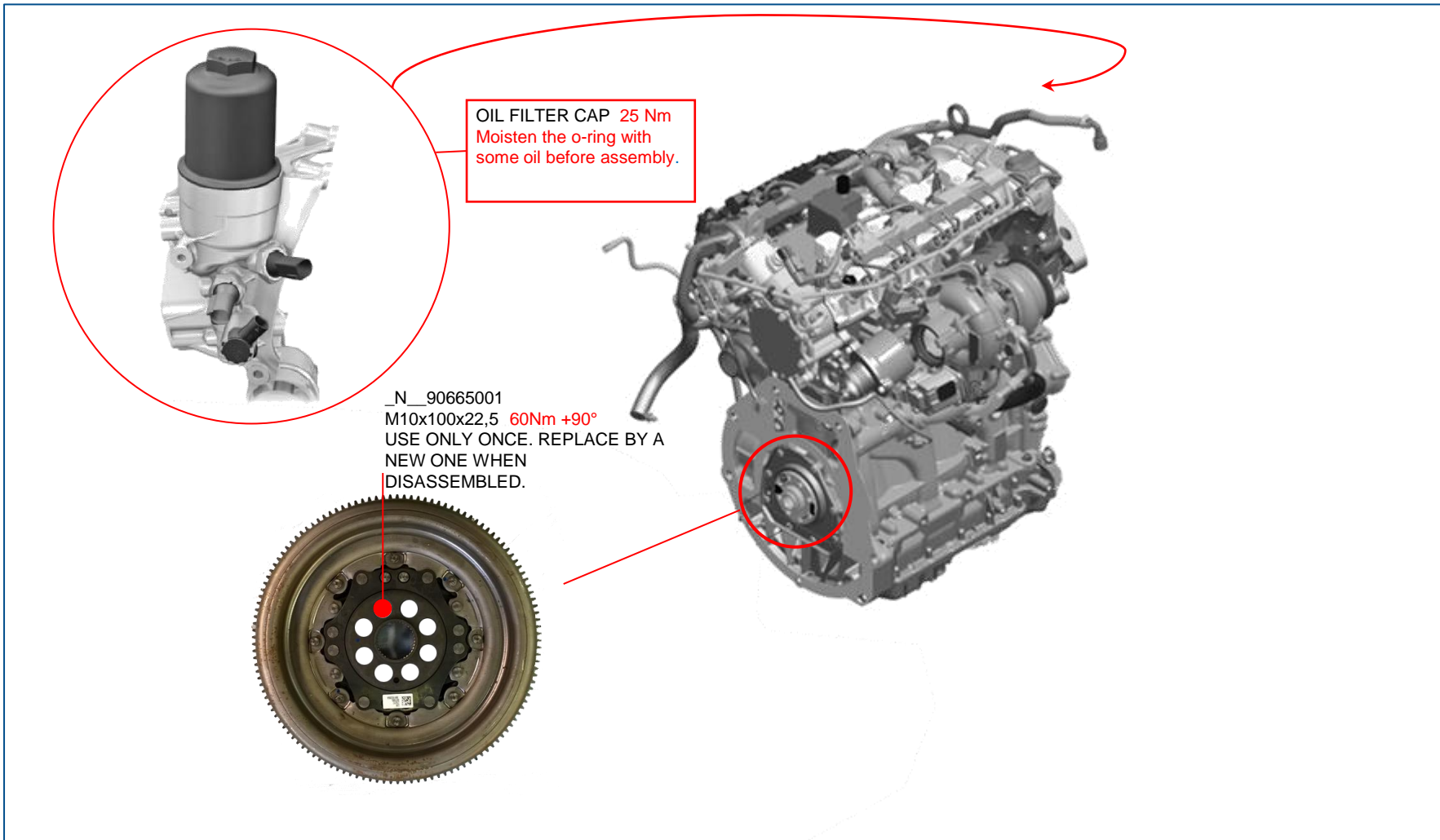
In this manual you will find the tightening torques of the vehicle with exploded views. Attached to the different parts there is a reference with some information. There is an exemple here below to understand how to read it:

TO BODY SHELL	←	It Explains Where The Part Is Assembled On.
VN0001161339	←	Catalogue Reference
BOLT	←	Name
M10x30 60 Nm	←	Size & Torque
LOCTITE 243 Blue	←	Additional Useful Information

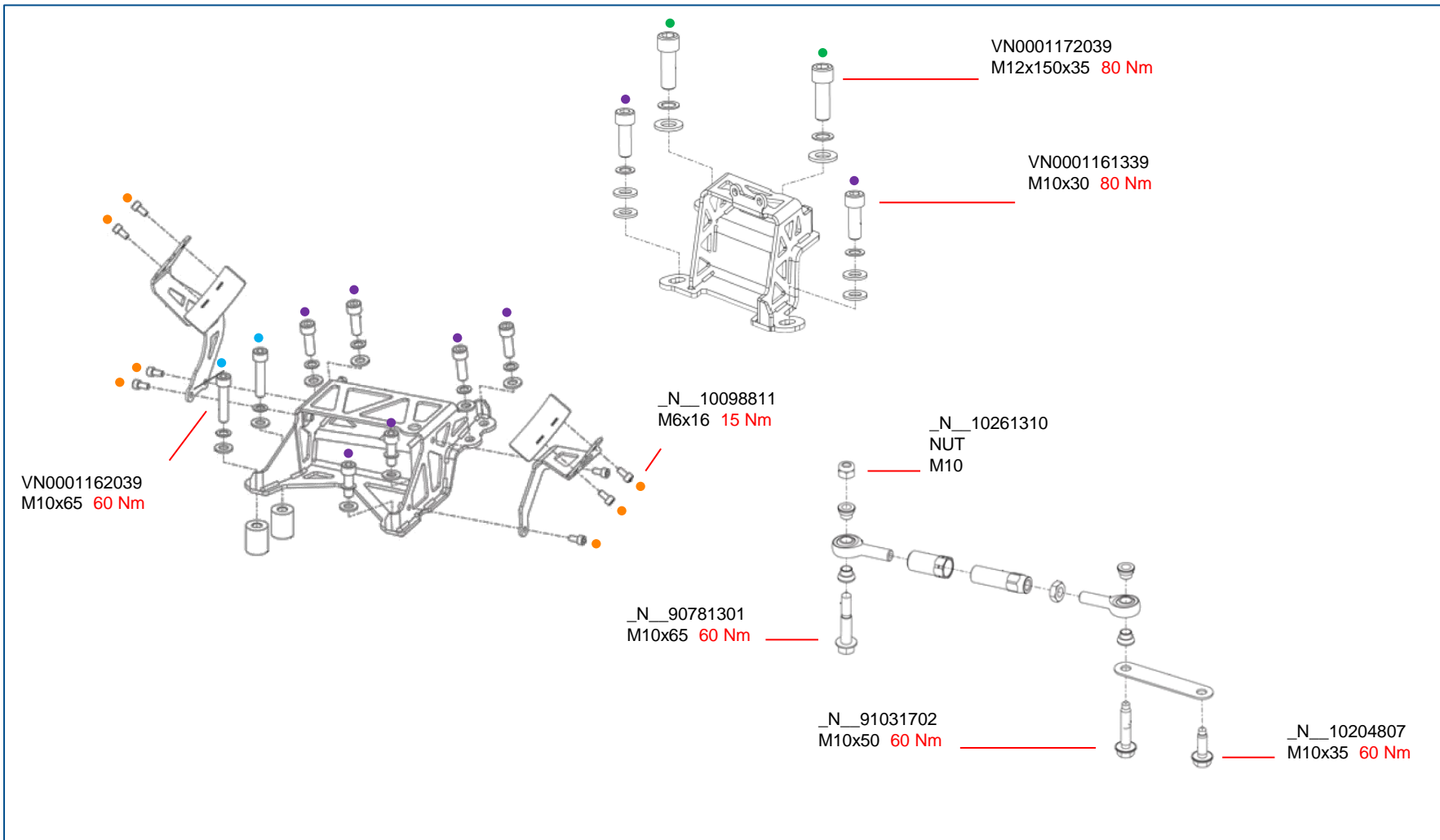
Besides the reference, the bolts, nuts, spacers and bushes may be marked with a color spot next to them. The ones with the same color spot have the same information and thus the same tightening torque. If no color spot is found means that the part is a single unit. The colors are common in one single page and are not related between different pages.

Spot colors: ● ● ● ● ● ●

TIGHTENING TORQUE ENGINE FLY WHEEL AND CLUTCH



TIGHTENING TORQUE ENGINE & GEARBOX SUPPORTS

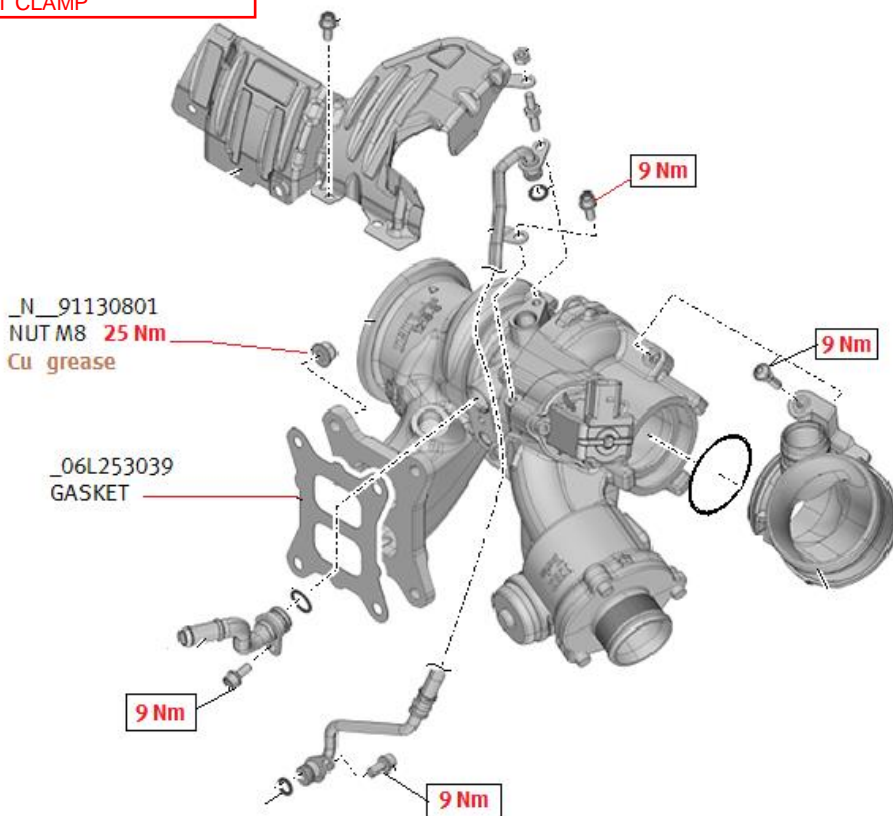
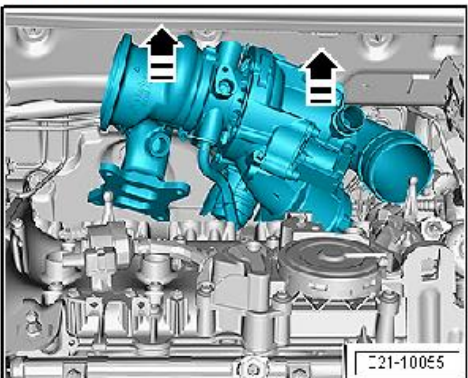


TIGHTENING TORQUE TURBOCHARGER

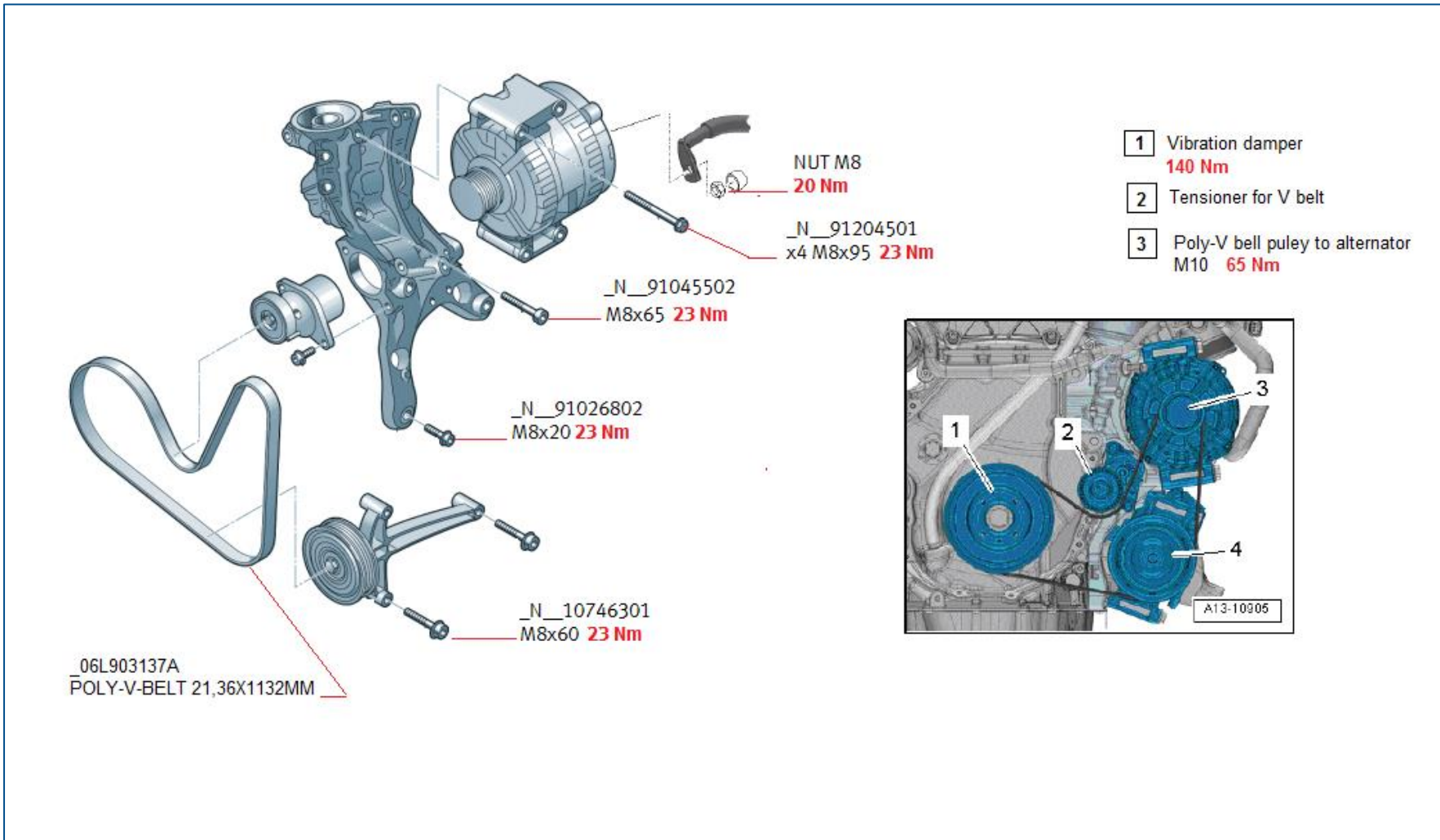


TO REPLACE THE TURBOCHARGER
USE ALWAYS:
NEW EXHAUST GASKET
NEW NUTS
NEW EXHAUST CLAMP

TAKE OUT SENSE

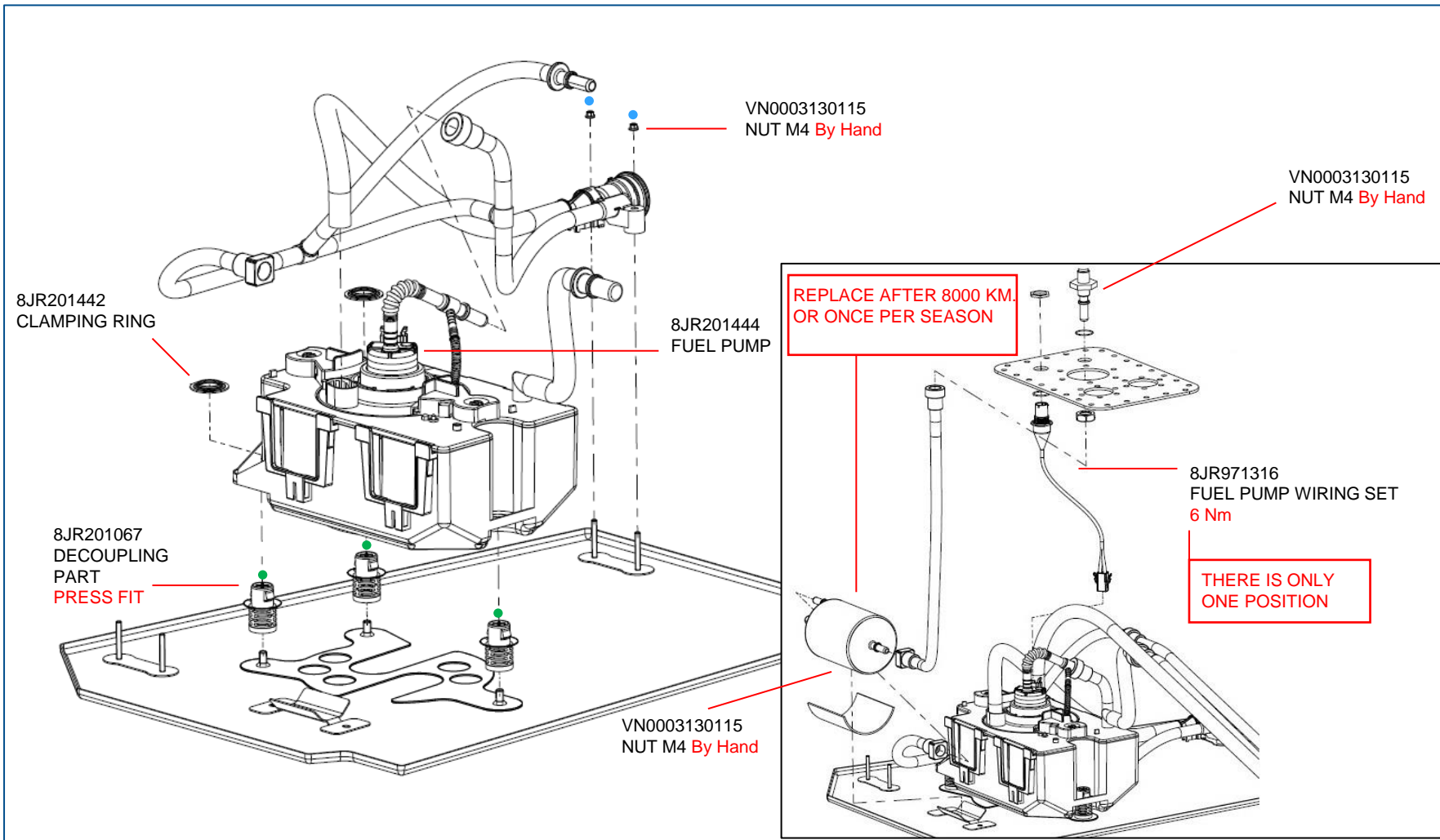


TIGHTENING TORQUE ALTERNATOR

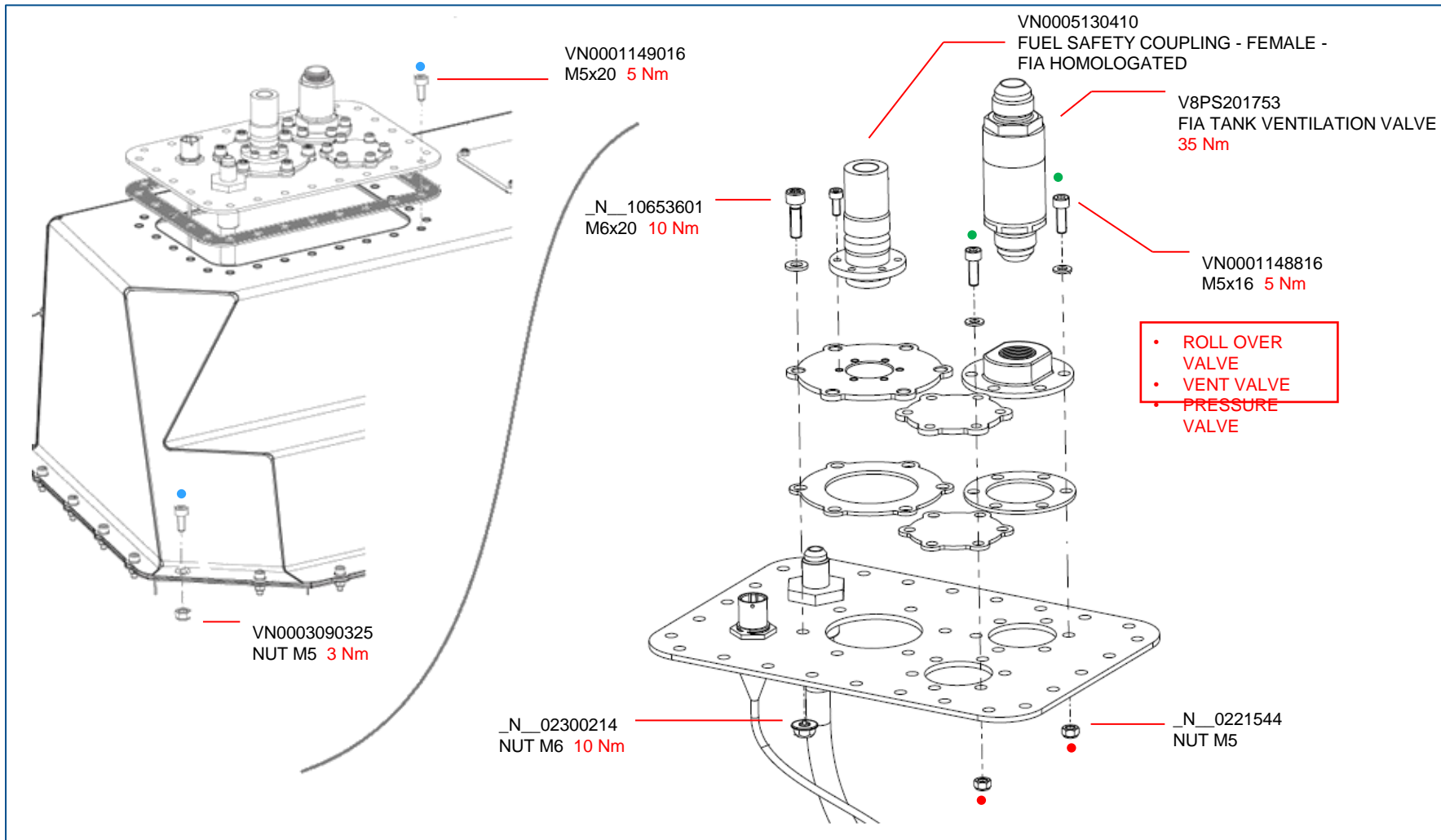


TIGHTENING TORQUE FUEL SYSTEM

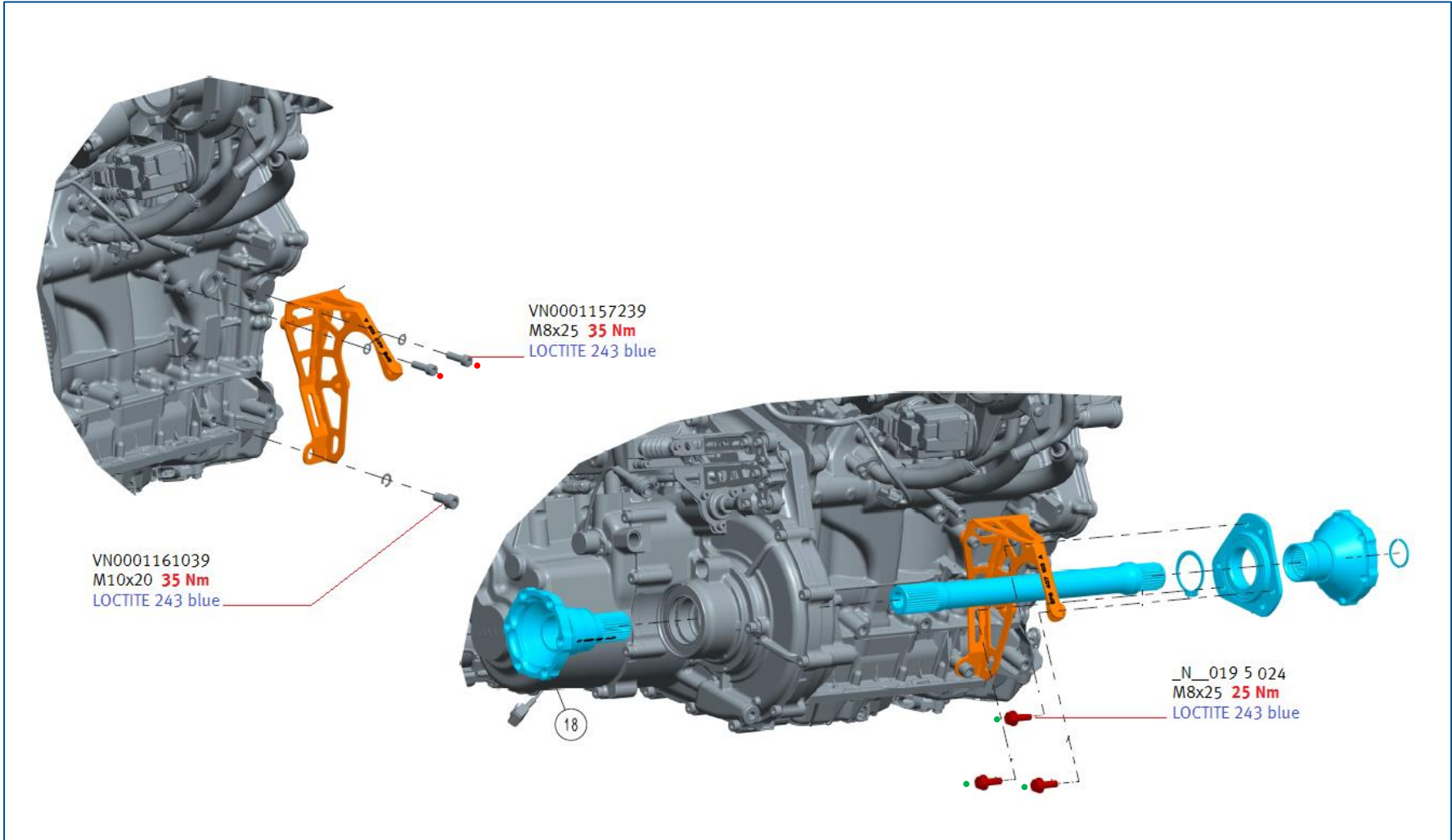
Volkswagen Motorsport



TIGHTENING TORQUE FUEL SYSTEM

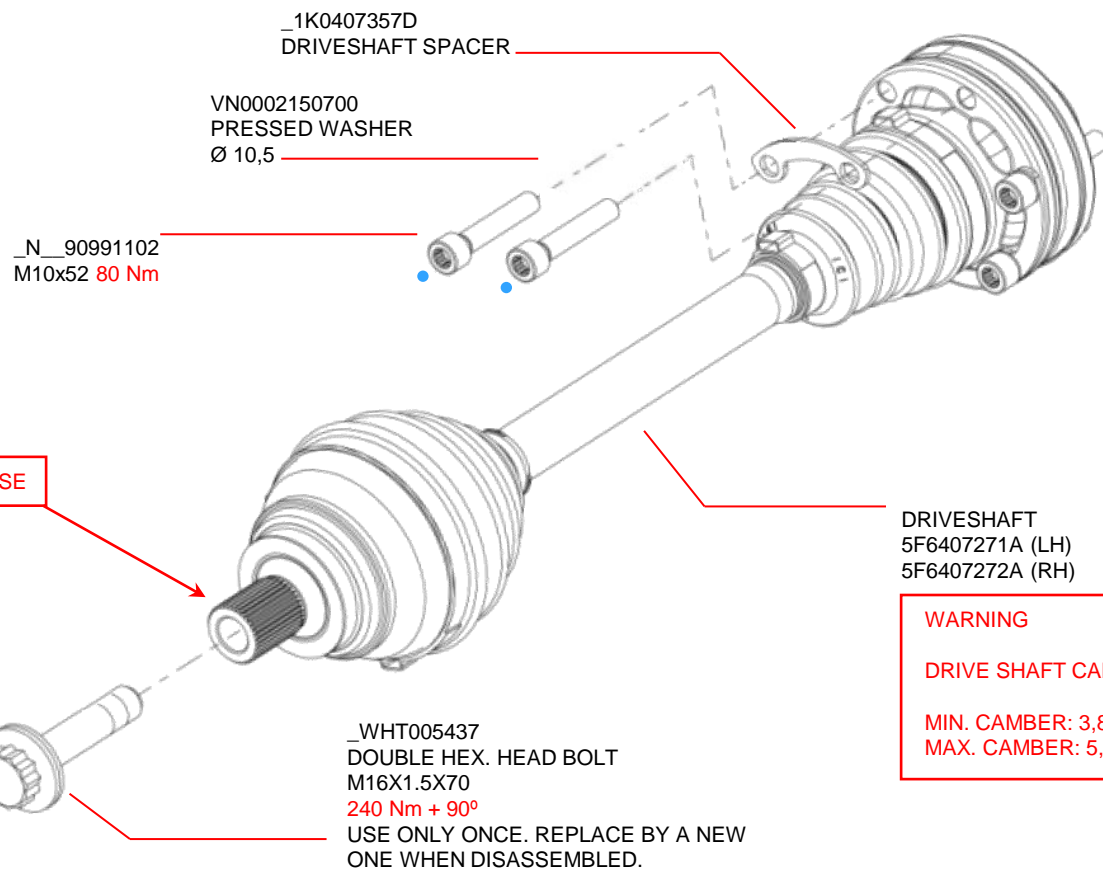


TIGHTENING TORQUE INTERMEDIATE AXLE

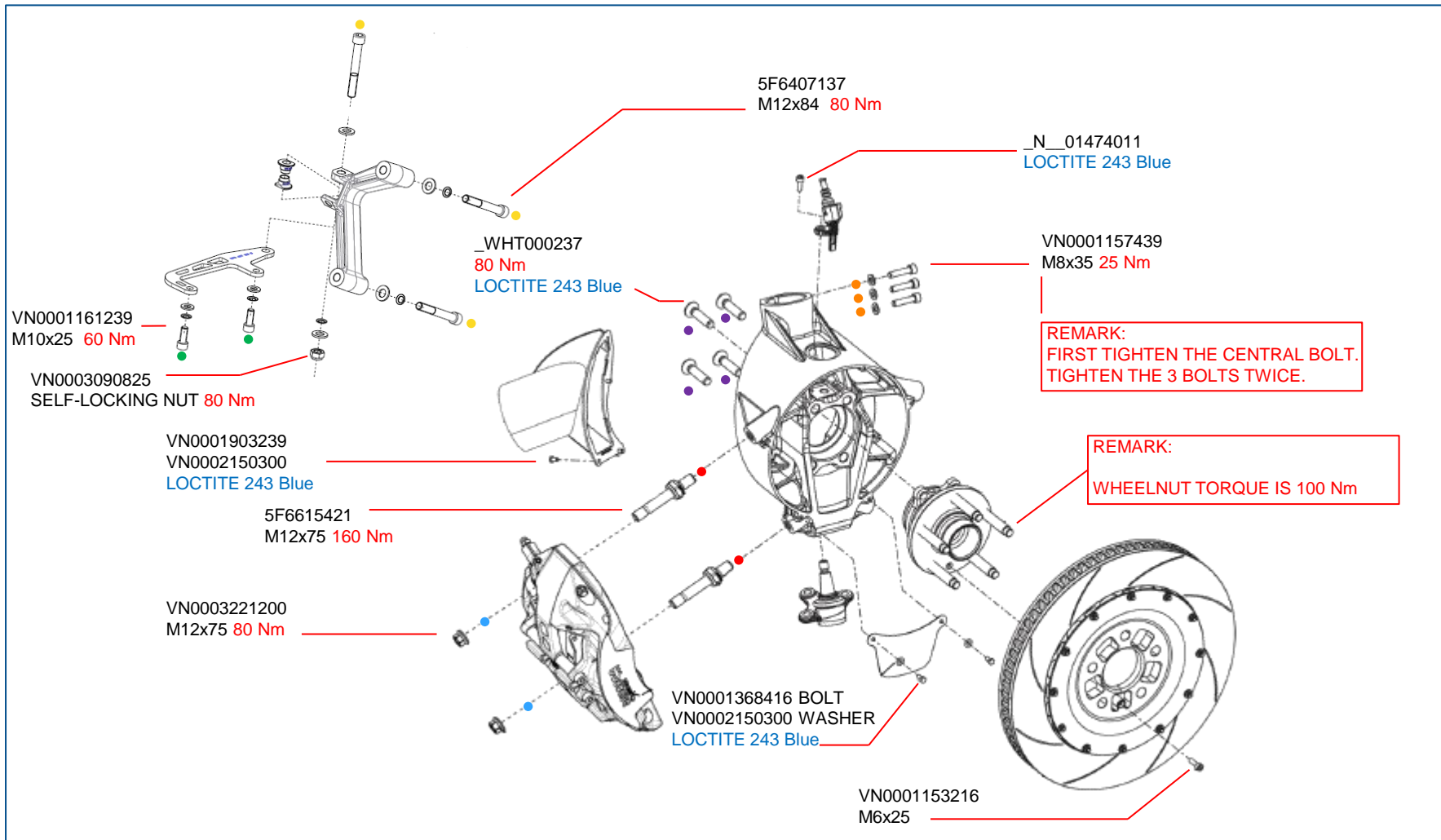


TIGHTENING TORQUE DRIVE SHAFT

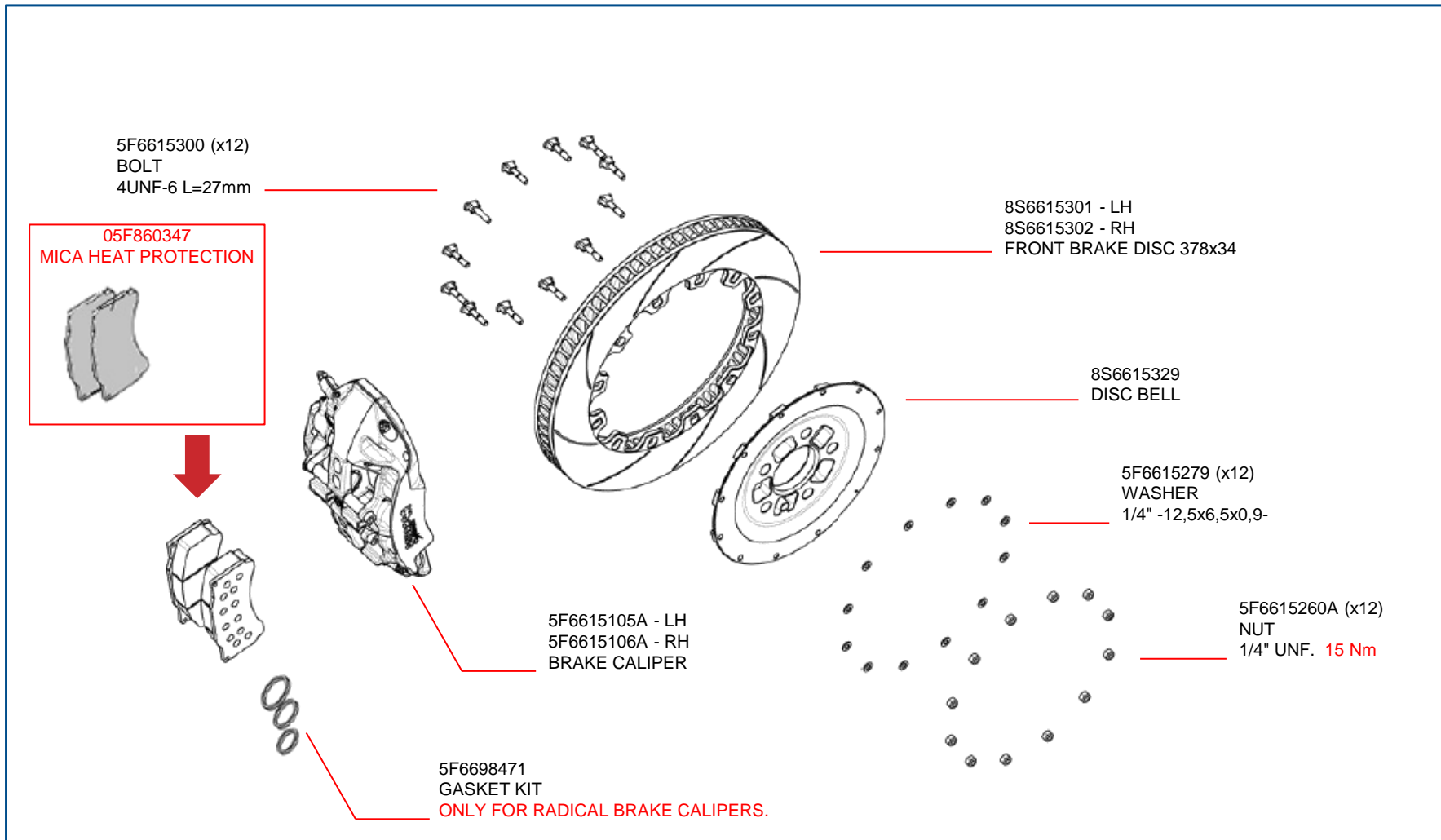
Volkswagen Motorsport



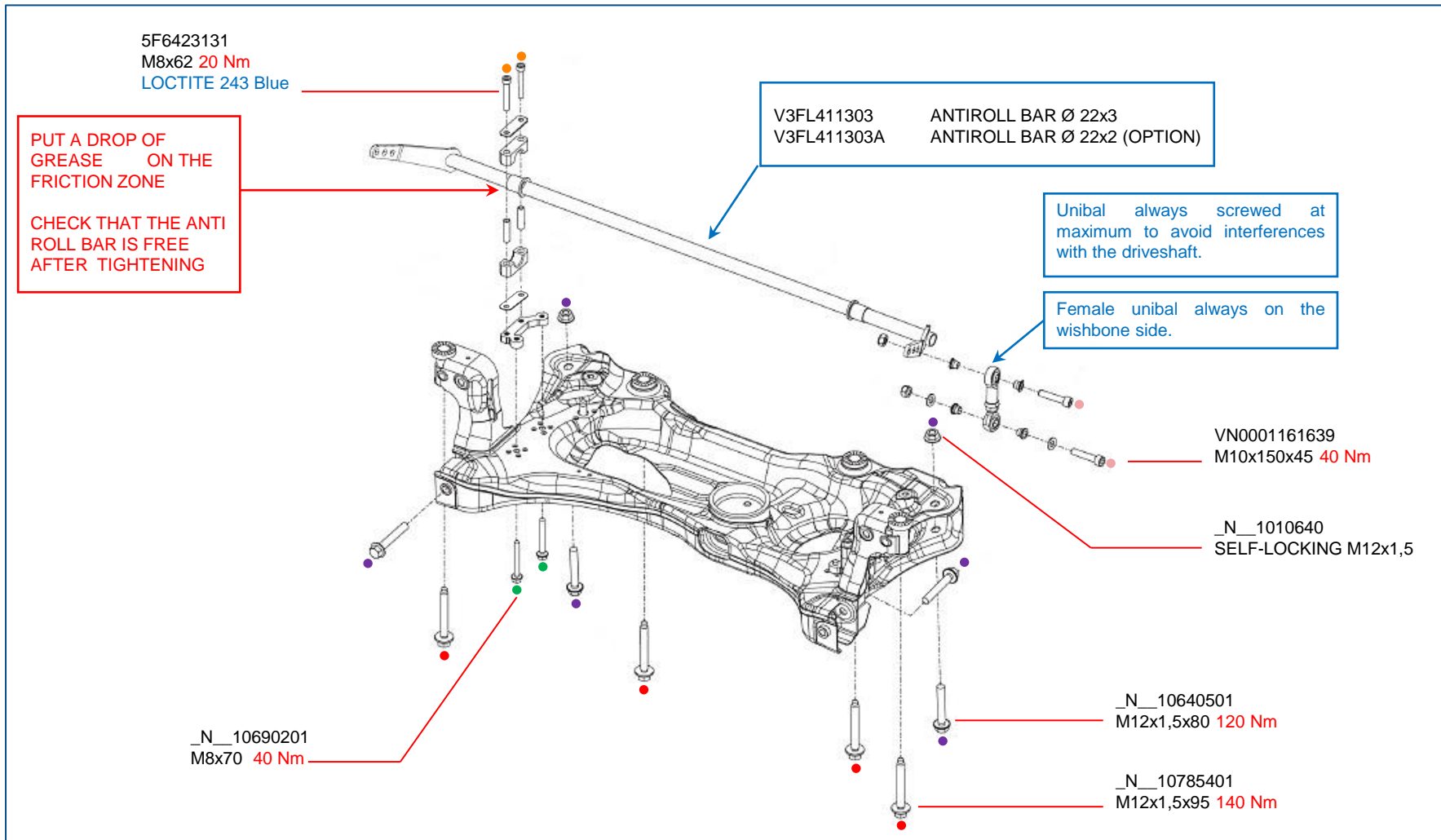
TIGHTENING TORQUE FRONT UPRIGHT AND HUB



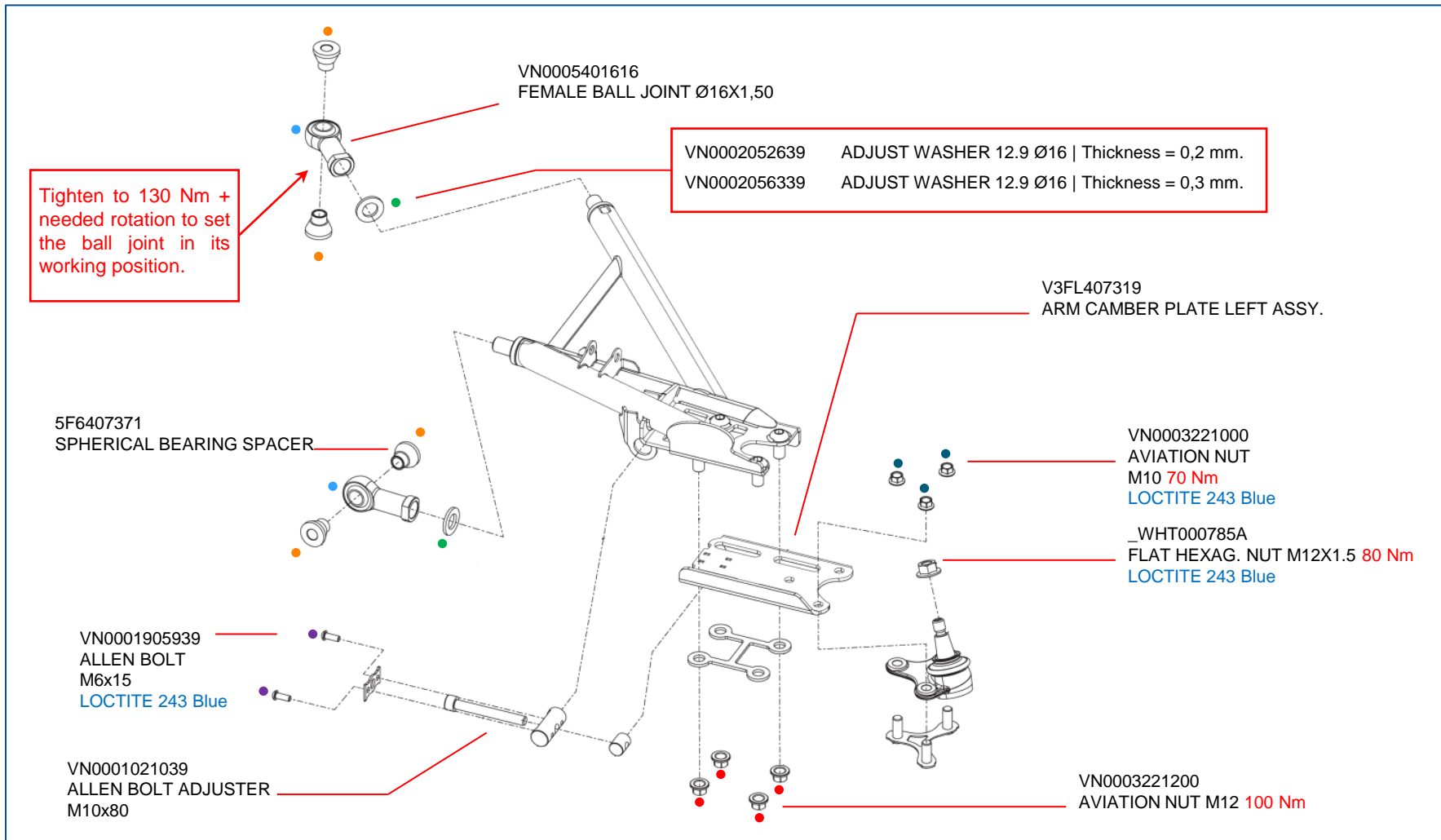
TIGHTENING TORQUE FRONT BRAKE



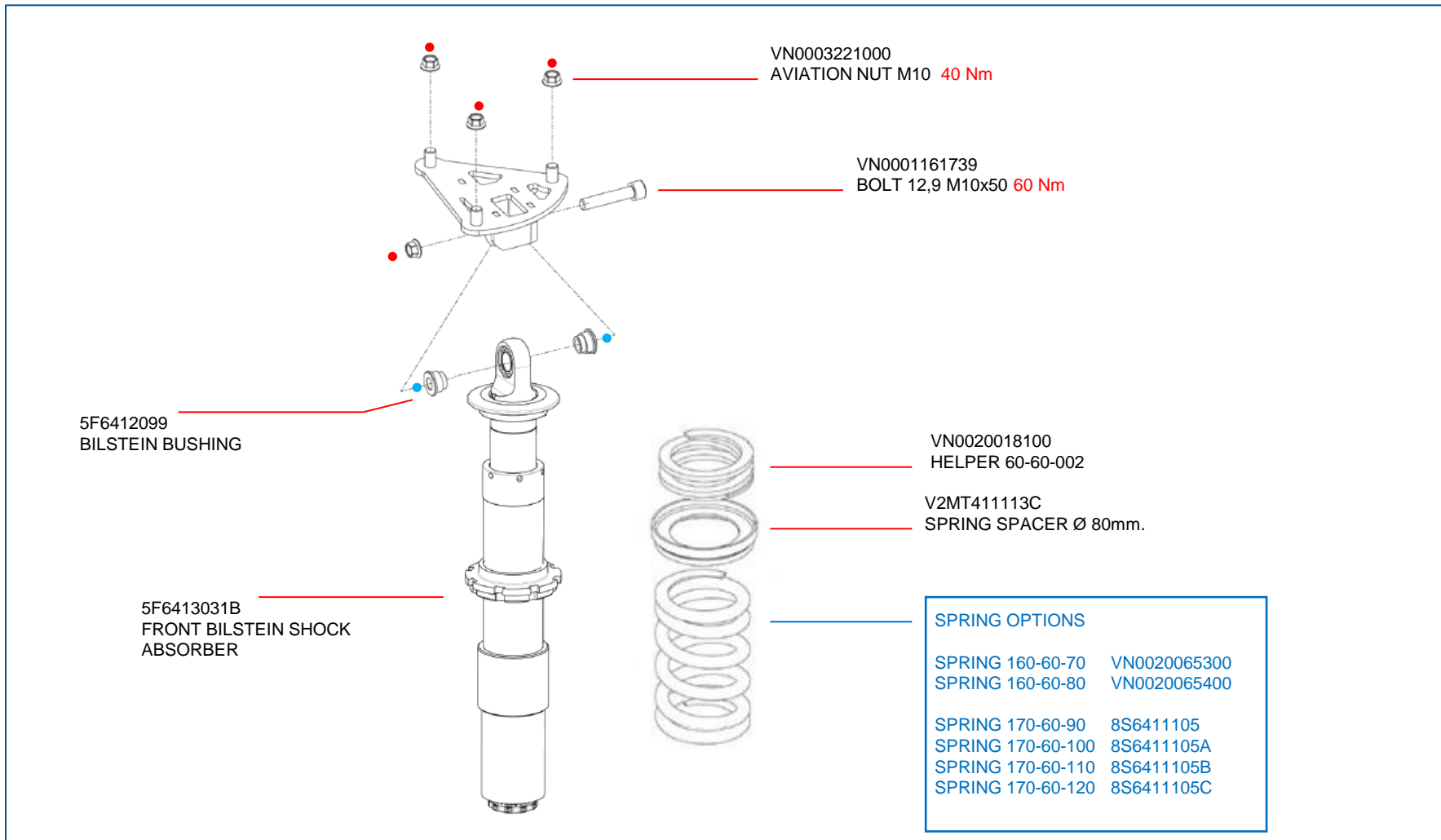
TIGHTENING TORQUE FRONT SUBFRAME



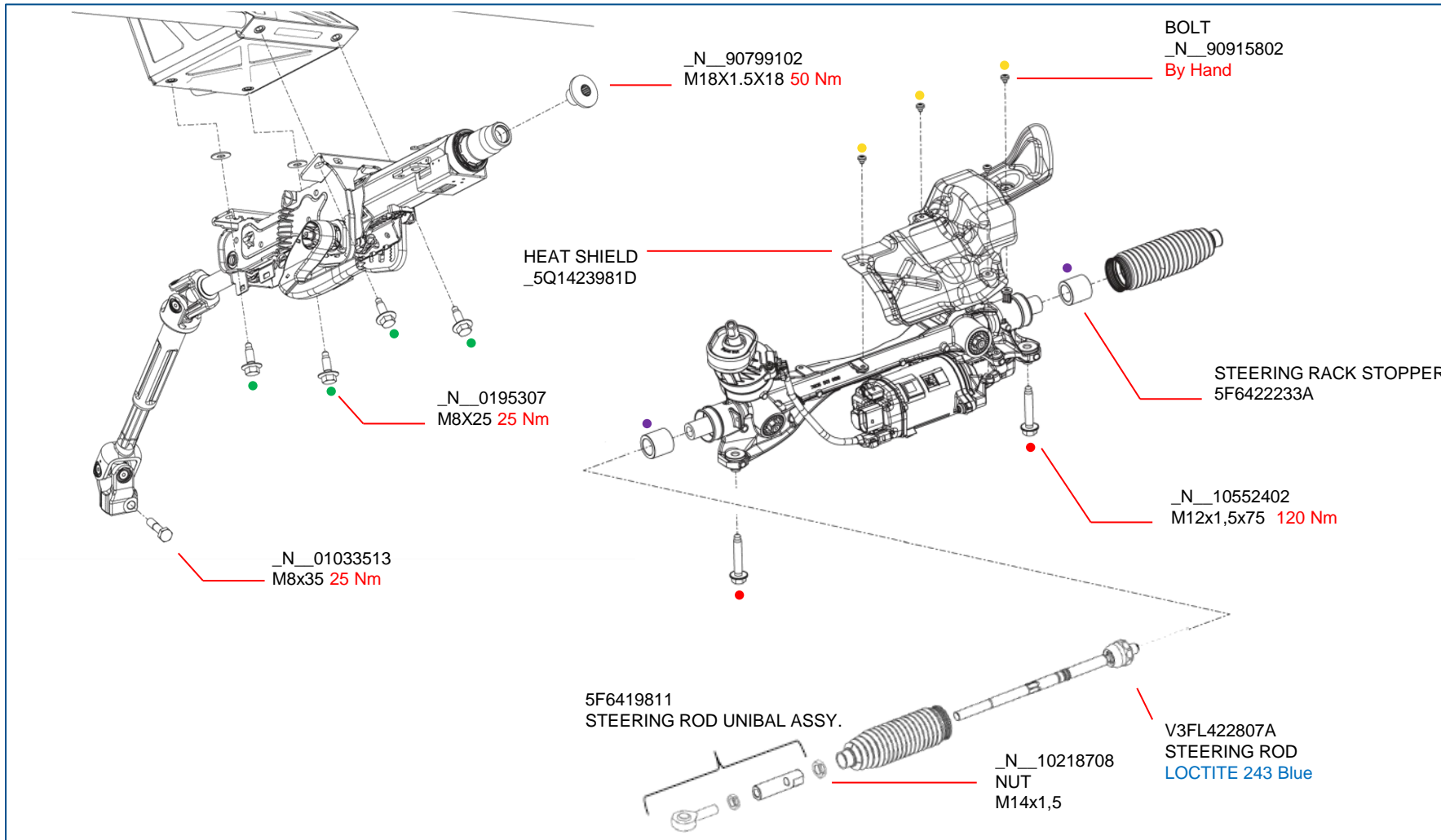
TIGHTENING TORQUE FRONT WISHBONE



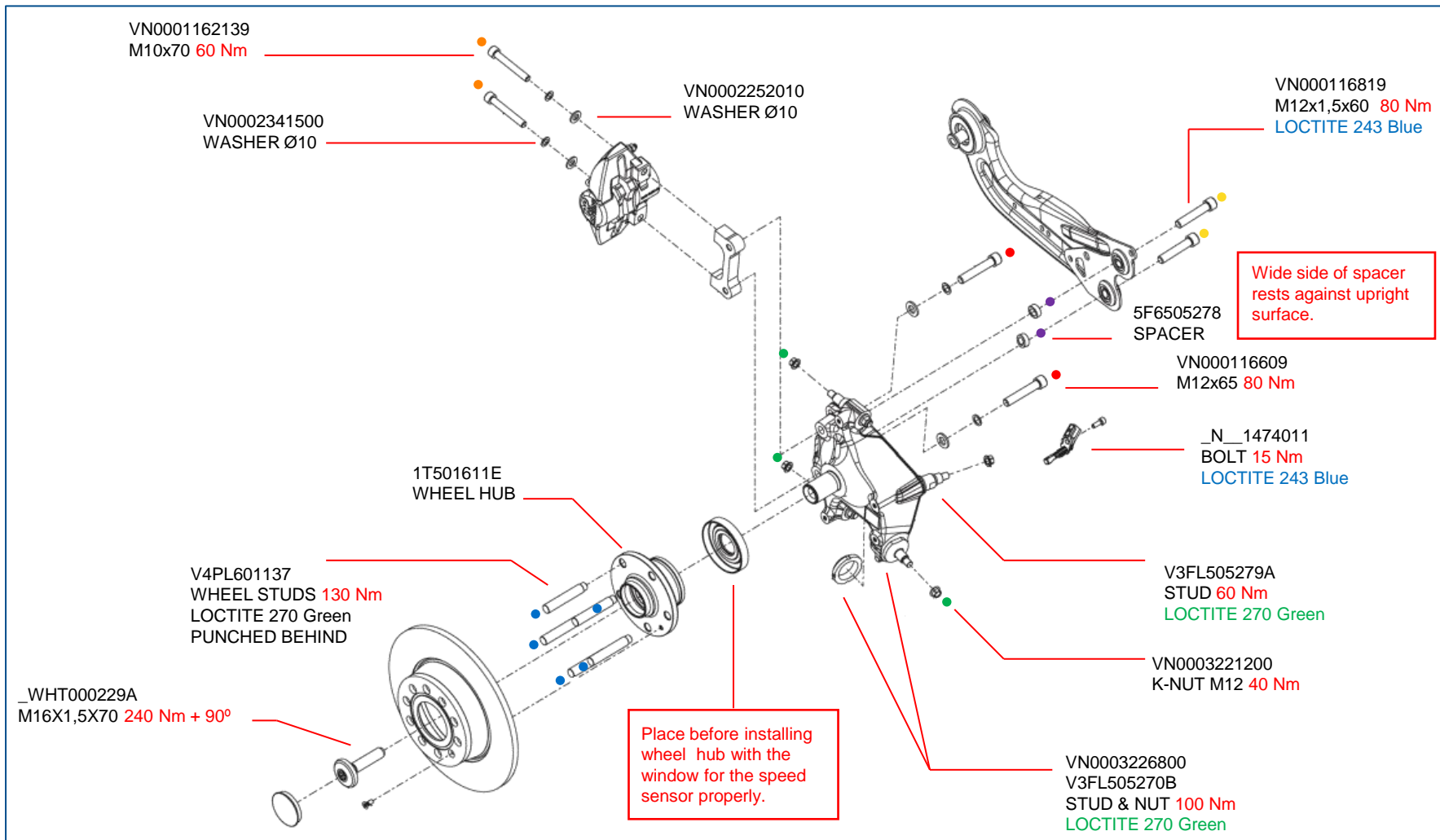
TIGHTENING TORQUE FRONT SHOCK ABSORBER



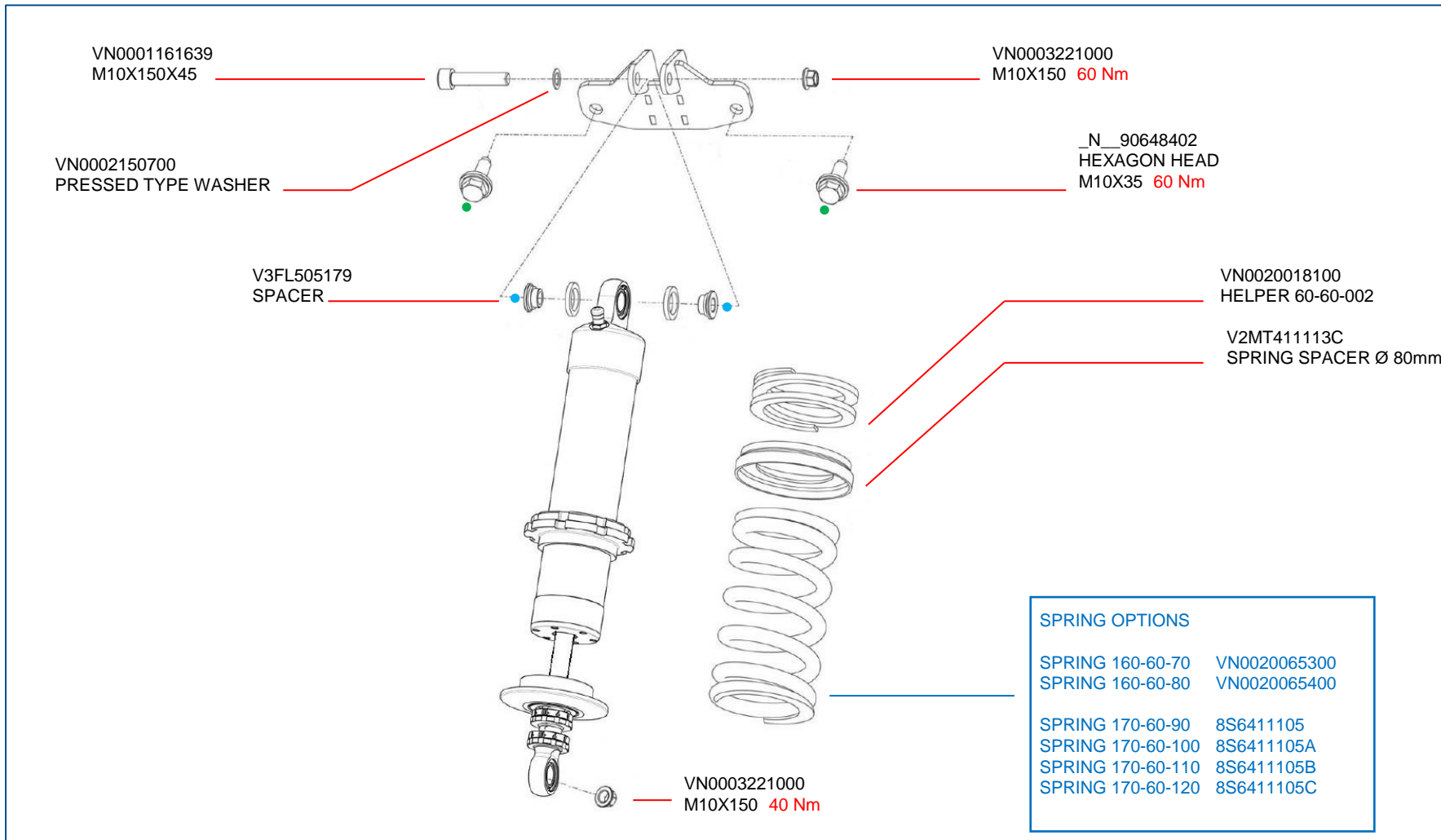
TIGHTENING TORQUE STEERING RACK & COLUMN



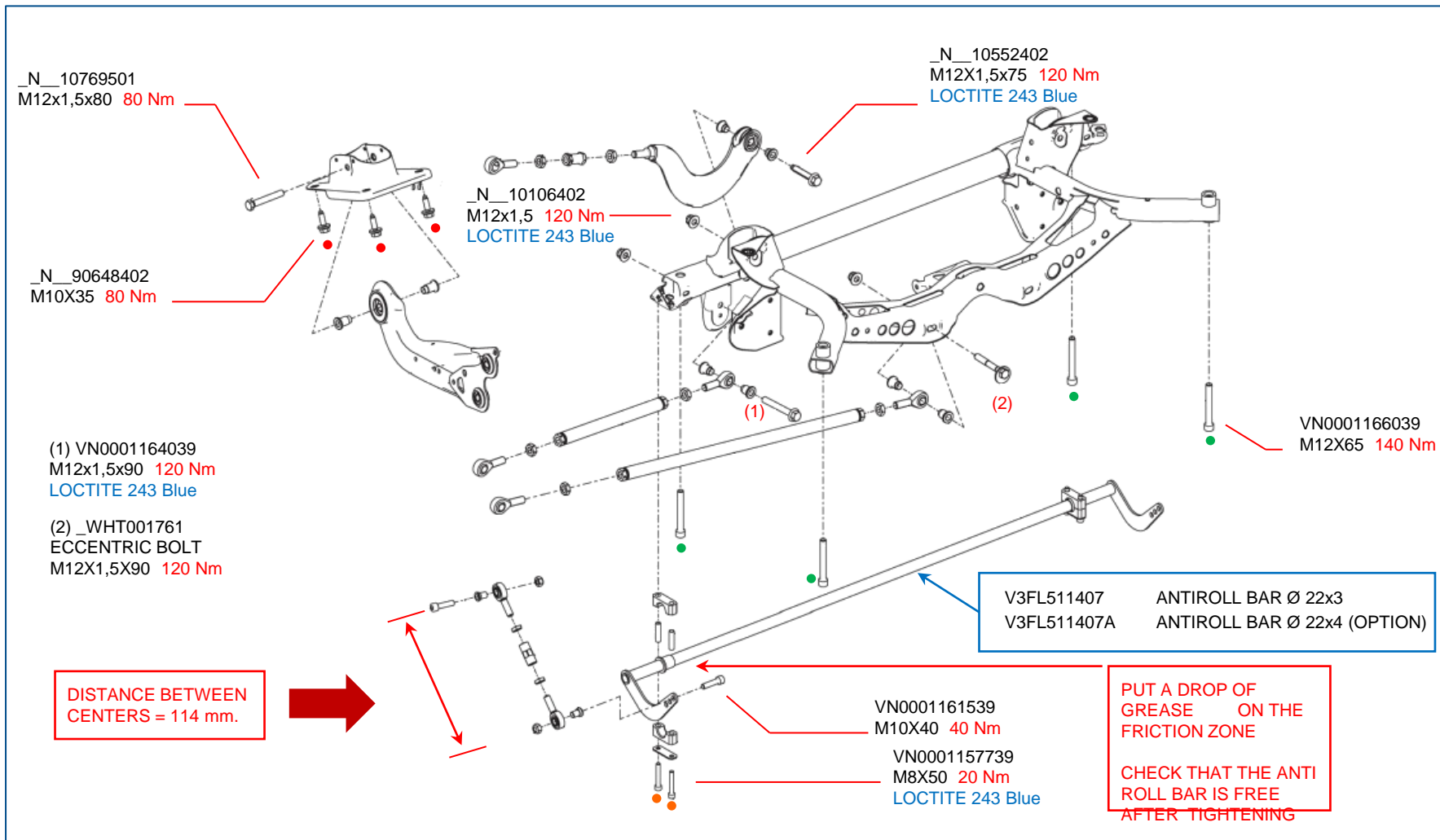
TIGHTENING TORQUE REAR UPRIGHT



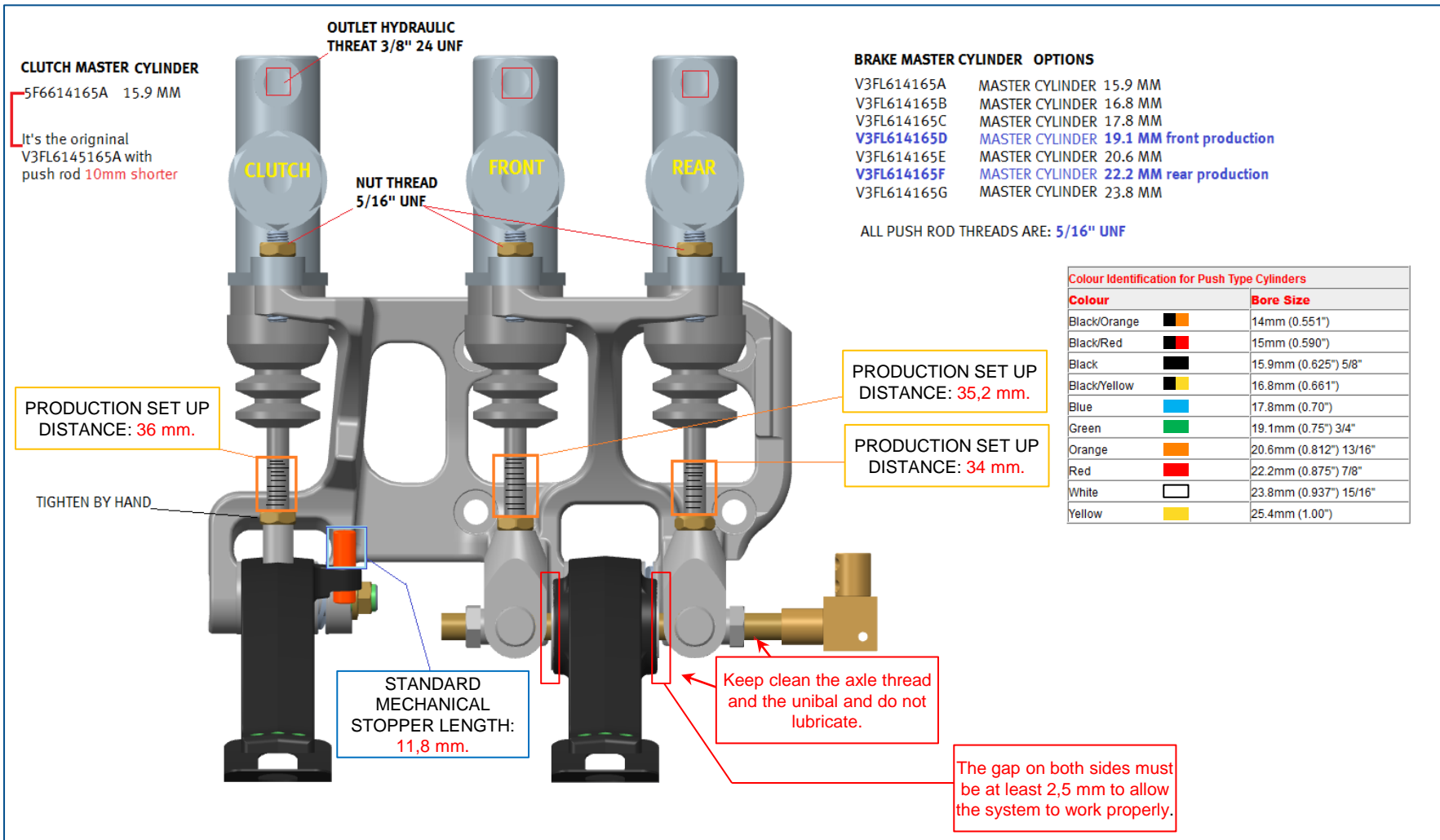
TIGHTENING TORQUE REAR SHOCK ABSORBER



TIGHTENING TORQUE REAR SUBFRAME



TIGHTENING TORQUE PEDAL BOX

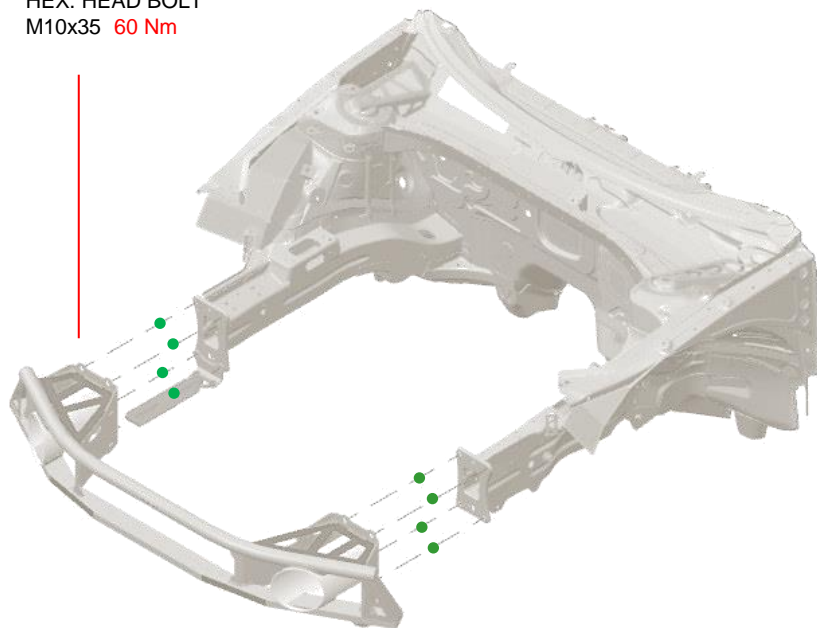


TIGHTENING TORQUE FRONT & REAR END

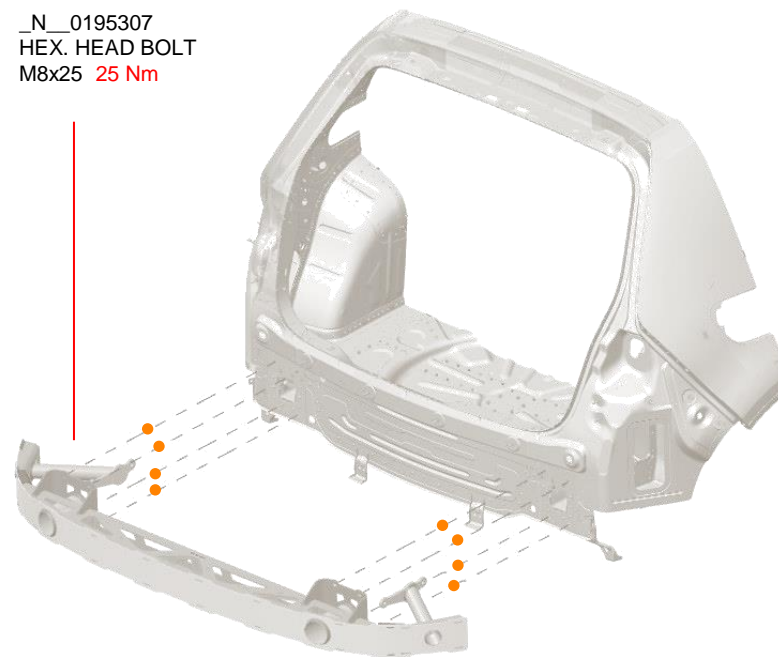
Volkswagen Motorsport



N 91196402
HEX. HEAD BOLT
M10x35 **60 Nm**

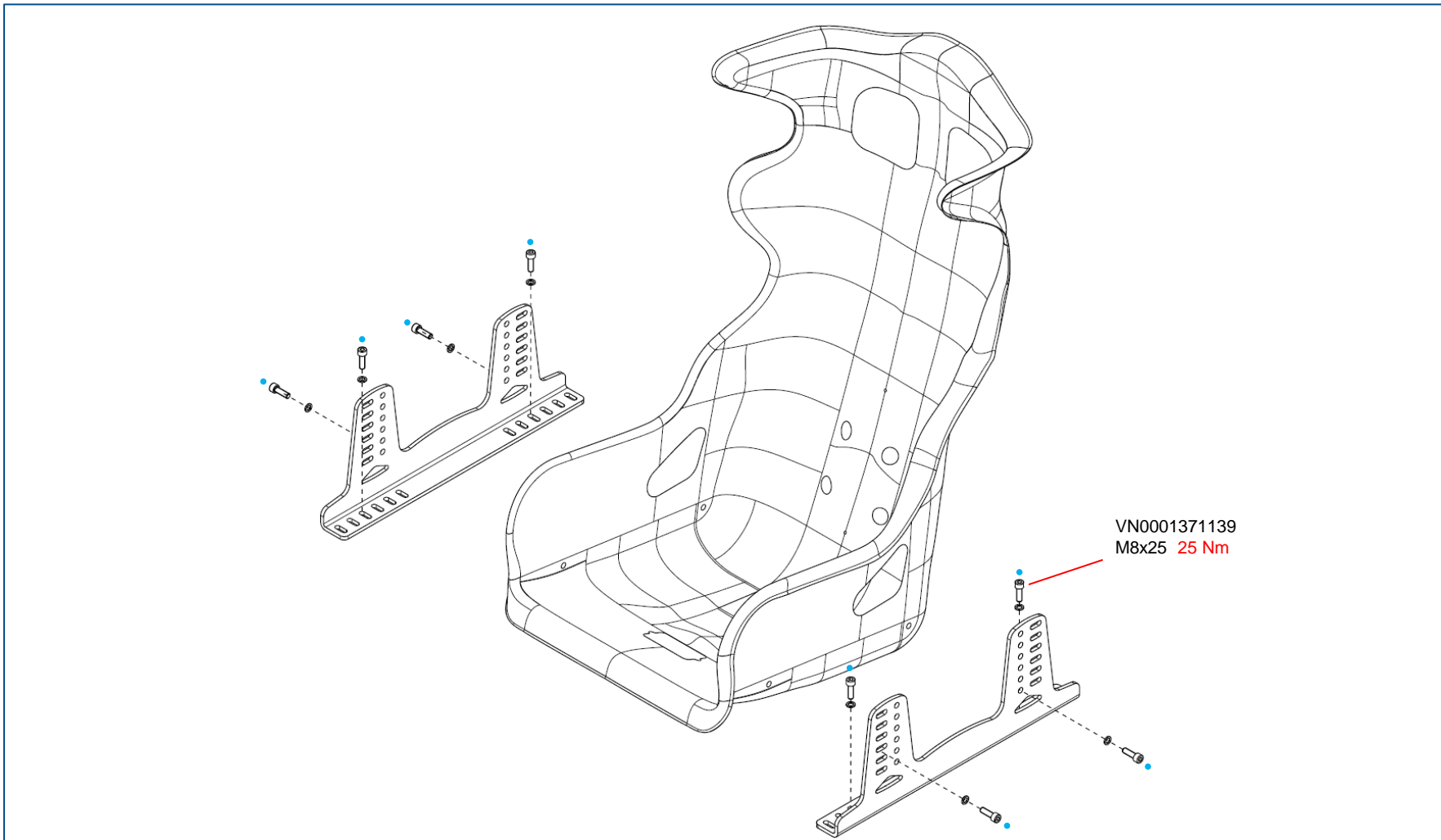


N 0195307
HEX. HEAD BOLT
M8x25 **25 Nm**



TIGHTENING TORQUE BUCKET SEAT

Volkswagen Motorsport

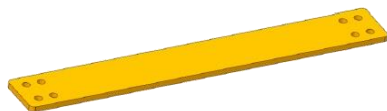


TIGHTENING TORQUE

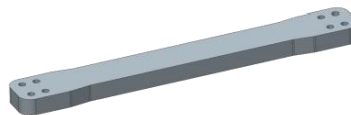
BALLAST FIXATION



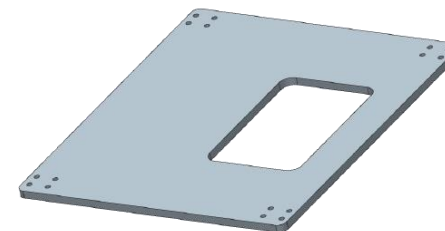
In the event that any car needs to add some extra weight, there are different shapes and sizes to be combined between them. They are detailed here below:



8S6861721
1 KG BALLAST



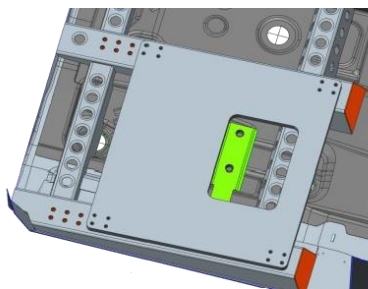
8S6861721A
3 KG BALLAST



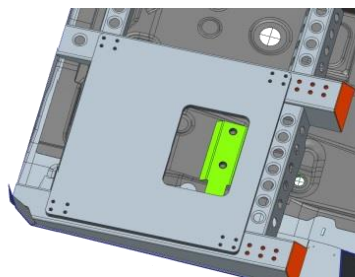
8S6861721B – 5 KG
8S6861721C – 10 KG
8S6861721D– 20 KG
5, 10 & 20 KG BALLAST

To fix the different ballasts on the car, it can be done either in the co-driver and driver position and in front or rear location. In order to make a safe assembly, M8 bolts with a minimum of 12 mm thread depth is recommended.

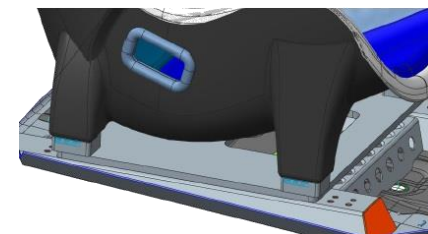
Front Location



Rear Location

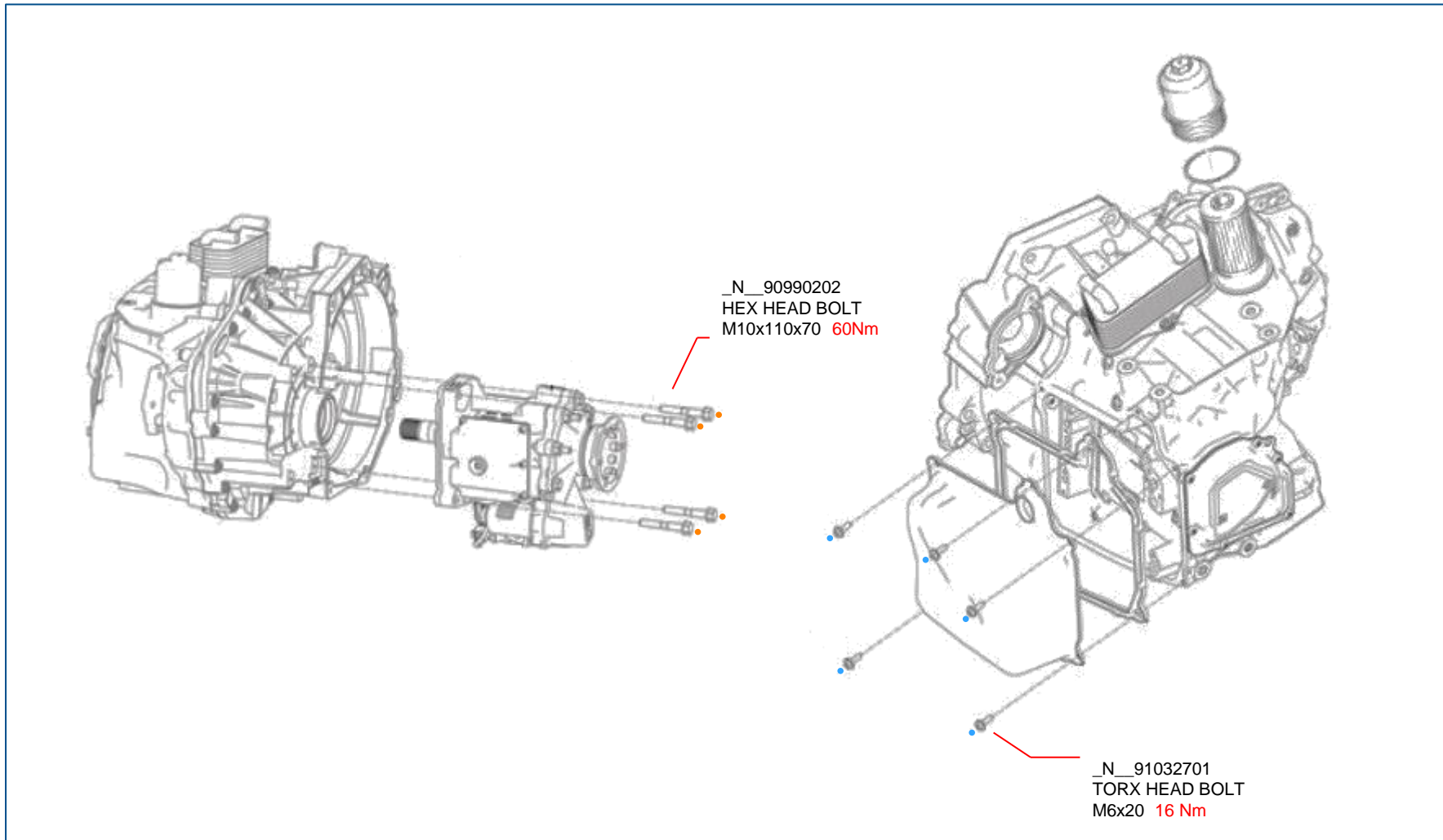


Driver Position



TIGHTENING TORQUE DSG GEARBOX

Volkswagen Motorsport



TIGHTENING TORQUE DSG GEARBOX

